

## Introduction

The Treatment Tech BASIC is a generic controller suitable for use in a wide range of domestic waste treatment systems. If the system uses a permanently powered pump and air blower then the Treatment Tech BASIC provides a reliable, cost effective solution for monitoring the system for faults such as a blower failure or high level.



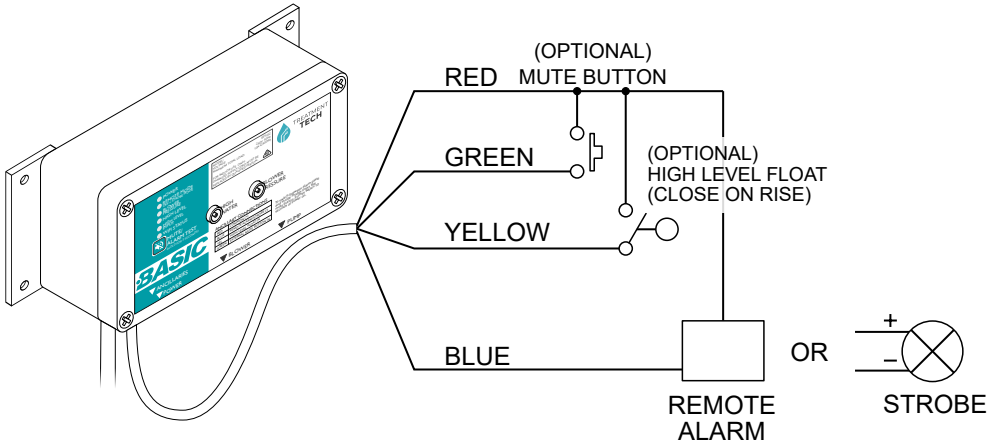
DOWNLOAD  
FULL USER  
MANUAL



TREATMENT  
**TECH**

## Installation

1. Connect the ancillaries to the 4-core cable as per the following diagram:



### HIGH LEVEL INPUT NOTE:

High Level functionality can be triggered either by using an air tube type high level pressure sensor OR a float switch connected to the red and yellow wires of the 4 core cable. If the float switch input is not being used please ensure that the corresponding wires cannot short out or erroneous high level alarms can occur.

### EXTERNAL MUTE NOTE:

The external mute button can be used only to mute the internal siren. Alarm test can be performed only by the mute button on the front panel. Muting for remote alarm can only be performed on the remote alarm itself.

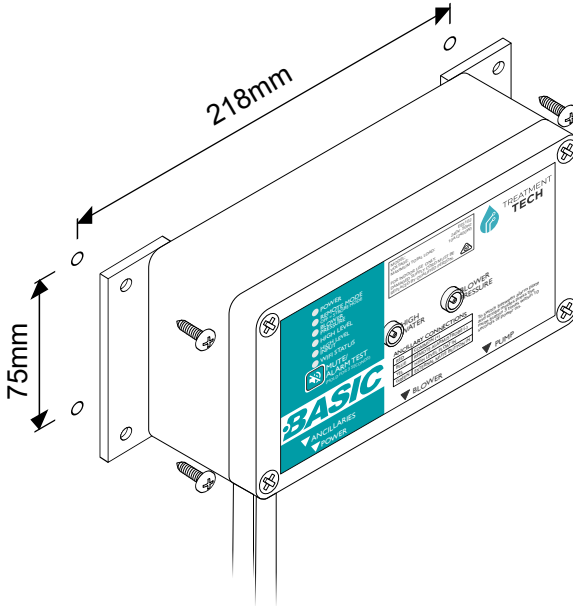
2. Select the use of a strobe or remote alarm panel:

As shown in step 1, the Treatment Tech BASIC can be used with either a remote alarm indicator (such as the Treatment Tech REMOTE) or a strobe light and the internal siren can be used for alarm indication.

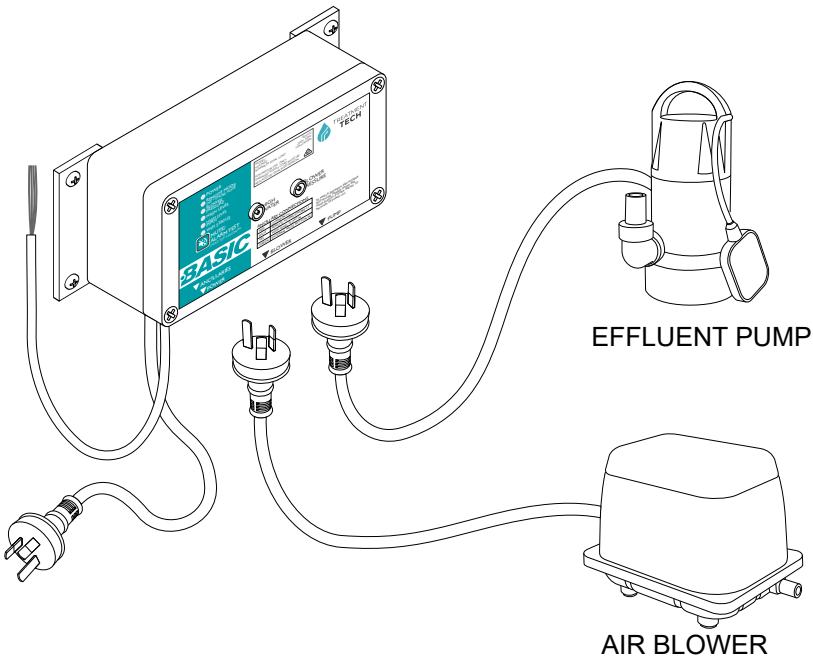
To switch between alarm plate and strobe modes press the mute button 3 times within 10 seconds of power on. The selected mode is indicated by the *remote mode* indicator LED.

Please note that Australian Standards require audible and visual alarm that can be noticed from inside the residence.

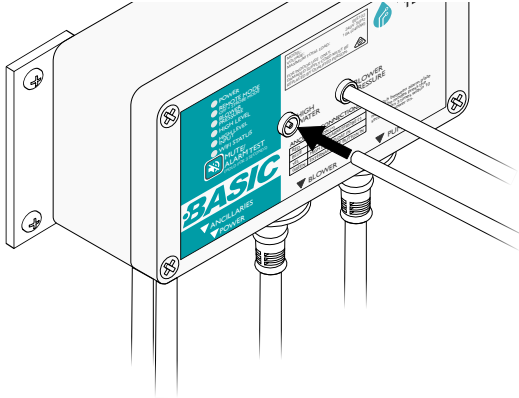
3. Fix into position inside the treatment plant motor box, using bolts or self-tapping screws into the 6mm holes in the mounting tabs:



4. Connect the air blower and effluent pump:



5. Where used, connect the air pressure and high level hoses to the sensor inputs:

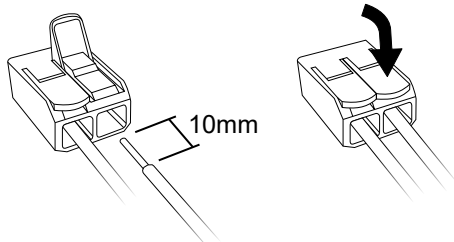


## Splice Connectors

Lever style splice connectors are supplied for joining the output wires to ancillaries

To use, simply strip 10mm of insulation from the wires, lift the lever, insert the wire and close the lever.

Typically only one wire per side; the wires will be joined internally.



## WiFi

The Treatment Tech BASIC can be purchased with an internal WiFi module to allow it to connect to Wastewater Cloud using the residence's WiFi network.

## Wastewater Cloud

By connecting the treatment system to the onsite WiFi it will be possible for both the owner and service agent to monitor using Wastewater Cloud.

Note that the Wastewater Cloud service is accessed at an additional cost.

## Warranty

The Treatment Tech BASIC is supplied with a 24 month warranty.

Please see the Treatment Tech BASIC user manual for full warranty terms and conditions.

[www.treatmenttech.com.au](http://www.treatmenttech.com.au)

Phone: +61 (0)7 5354 6110

[contact@treatmenttech.com.au](mailto:contact@treatmenttech.com.au)

